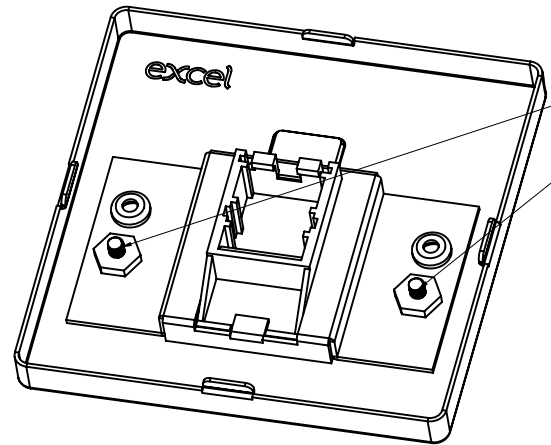
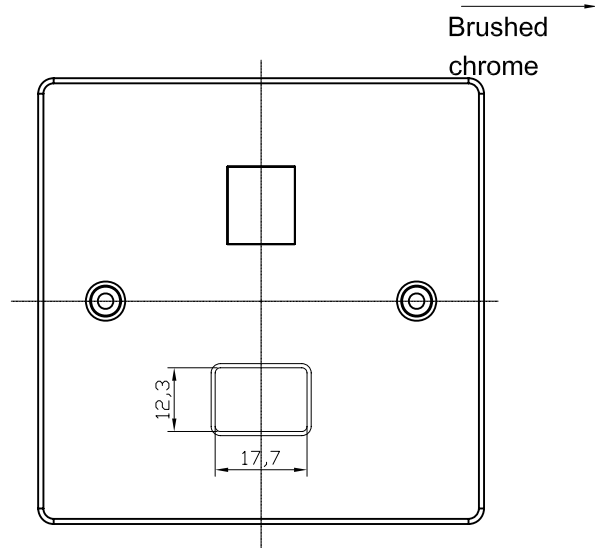
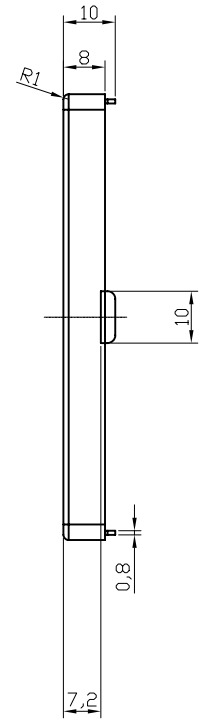
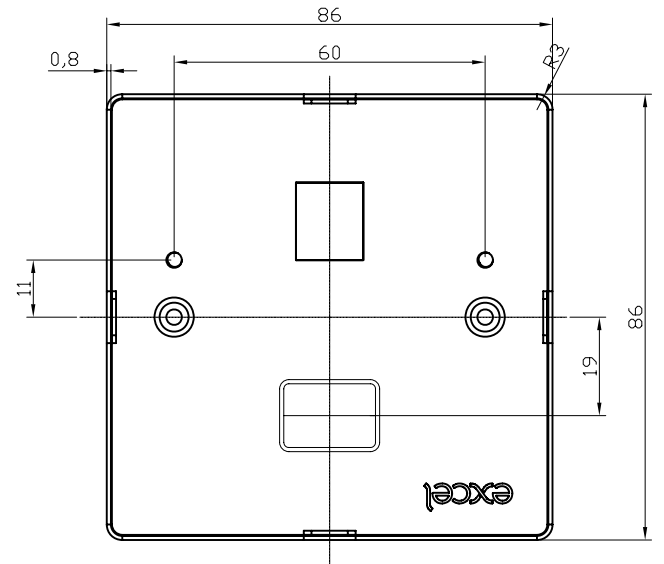
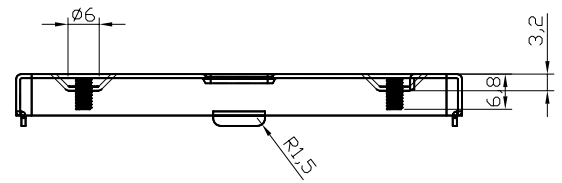


FIRST USE

REV	ECD NO.	DESCRIPTION



welding M3 screw bolt ,  
nice look from outside



RoHS  
Compliant

CUSTOMER

- Specification:
1. Material : stainless steel
  2. Finishing: brushed chrome
  3. RoHS Compliant.

		MATERIAL	stainless steel		PART NO.			
		FINISH	Brushed chrome		CUSTOMER P/N			
.X	±0.2	.XXX	±0.050	UNITS	mm		SHEET 1 OF 1	
.XX	±0.10	ANG	±0.5°					
DRAW					PHASE	REV	MASS	SCALE
CHKD					S	0		
STAD								
APPD								

	1	2	3	4	5	6																				
FIRST USE					REV	ECN NO.	DESCRIPTION																			
B					A																					
C					B	C																				
CUSTOMER					<table border="1"> <tr> <td>             MATERIAL SPCC T=0.8            FINISH electroplate            .X ±0.2 .XX ±0.05 UNIT mm            .XX ±0.10 ANG ±0.5° QTY(pcs)         </td> <td colspan="2">TITLE BACK-BOX</td> <td>PART NO.</td> </tr> <tr> <td>DRAW</td> <td colspan="2">Jul-01-22</td> <td>CUSTOMER NO.</td> </tr> <tr> <td>CHKD</td> <td>PHASE</td> <td>REV</td> <td>MASS(g) SCALE</td> </tr> <tr> <td>STAD</td> <td></td> <td></td> <td>1:2</td> </tr> <tr> <td>APPD</td> <td colspan="2"></td> <td>SHEET OF</td> </tr> </table>		 MATERIAL SPCC T=0.8 FINISH electroplate .X ±0.2 .XX ±0.05 UNIT mm .XX ±0.10 ANG ±0.5° QTY(pcs)	TITLE BACK-BOX		PART NO.	DRAW	Jul-01-22		CUSTOMER NO.	CHKD	PHASE	REV	MASS(g) SCALE	STAD			1:2	APPD			SHEET OF
 MATERIAL SPCC T=0.8 FINISH electroplate .X ±0.2 .XX ±0.05 UNIT mm .XX ±0.10 ANG ±0.5° QTY(pcs)	TITLE BACK-BOX		PART NO.																							
DRAW	Jul-01-22		CUSTOMER NO.																							
CHKD	PHASE	REV	MASS(g) SCALE																							
STAD			1:2																							
APPD			SHEET OF																							
	1	2	3	4	5	6																				